

SDAH-HY-189-2019

1400 16 11 2011 8 50 80% 7

1	1
2	4
3	16
4	20
5	26
6	29
7	32
8	42
9	45

1

2

3

4

5

2014 11

6

2014 77

2014 12 10

7

8

9

2019 9 23 9 24

2019 10 8 10 9

	2014	11		2014	12
	2016	3		2019	9 23 24
				2019	10 8 9
		----			----
	6051		315		5.21
	1385		69.25		5.0
	1			(2015.1.1)	
	2			2018	12 29
	3			(2018	10 26
)				
	4			(2018.1.1)
	5				2016
	6			2018	12
	29				
	7			641	
	8				
	[2013]	37			

1	
DB37/3535-2019	
2	GB12348-2008
3	(GB16297-1996)
4	
DB37/2373—2018	
5	GB3096-200; 9

“

”

“ ”

			888		N37	23	3.98		E118
04	4.59								
								888	
			6051						5915.94m ²
15	m ³	8.25			20	m ³	1.62		
		3.5							
								56	
		300							
			1385		7	m ³	3.85		
		20	m ²	1.62					8 m ³
	4.4			3.5					3.5
2014		11							
									2014 12 10
									2014 77

2014 12 2016 3 2016 3
7 / 20 /
2016 3 2019
3.5 / 3.5 /
150
80-85%
1
2-1
16
16
16

2					
1					
2					
			16	16	DB37/2373—2018 2
			16	16	
			16	16	
		COD			—
		pH COD SS BOD			4 DB37/3416.4-201 8 2
		A			GB12348-2008 3
		---			GB18599-2001

3											
	3										
		2016	3					2019			
						3.5	/		3.5		
/											
		150									
						2					
						2019	9	23	2019	9	24
2019	10	8		2019	10	9					

2-3

8

1	4200mm
1	4200mm
1	4200mm
1	4200mm
1	4200mm
2	3000mm
1	3800mm
1	3800mm
2	3800mm

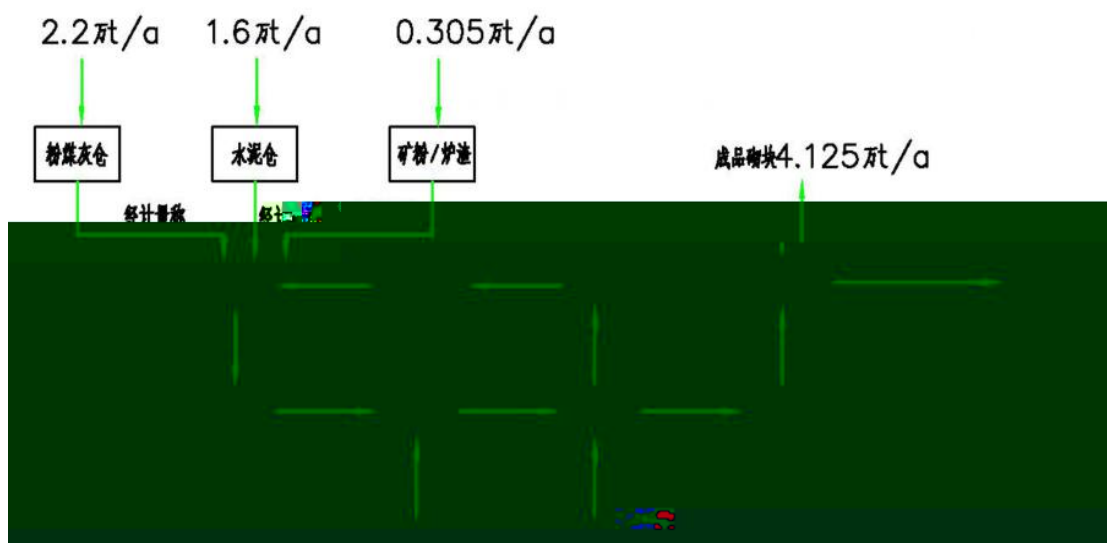
	1		
1			
	16m	0.6m	
		1	
		16m	
6		0.5m	
,			1
3			
	1		
	1	3	
	16m	0.1	

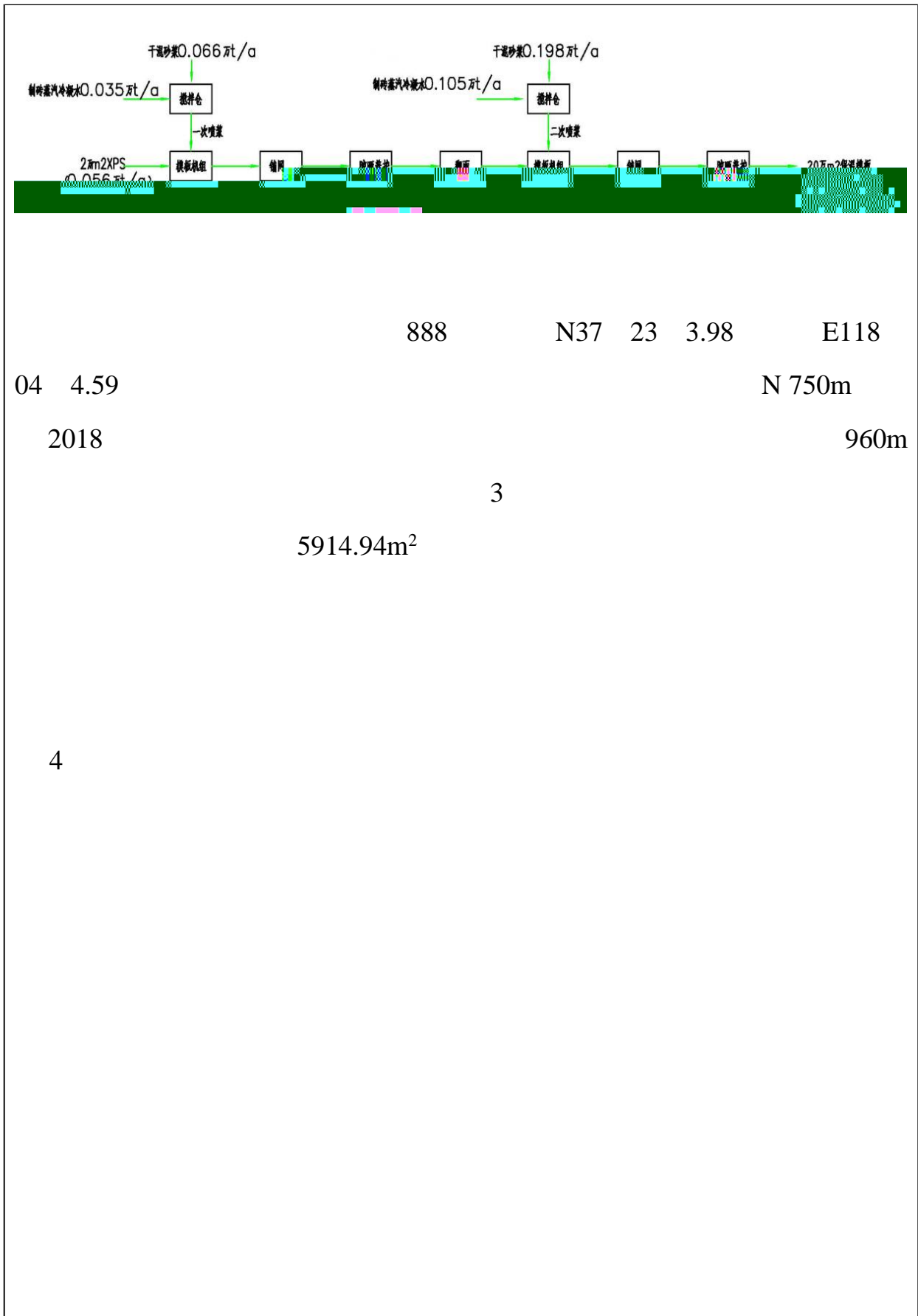
2-4

1		V=5m ³ Msv-5	1	1	
2		1m ³	1	1	
3		1.34m ³	4	3	
4			1	1	
5			1	1	
6		V=10m ³	1	0	
7			1	0	
8		V=3m ³	2	2	
9	PLC		1	1	
10			4	3	
11	EPS		1	1	
12			5	1	
13			4	4	
14			4	0	
15			1	0	
16			1	0	
17		V=0.9 2m ³	600	100	
18			2	2	
19			2	2	
20			1	0	
21		FZ2.4×31.5m	8	8	
22		4.2×15m	1	1	
23		4.2×15m	1	1	
24		4.2×15m	1	1	
25		45×1.2×5m	1	1	
26			50	200	
27		1.2×2.4×1.5m	1	1	
28	PVC	0.6×2.4×0.02m	100	0	
29			1	0	
30			5	0	
31		30t/h	1	0	
32		3t	1	0	
33		Yx-50	1	0	
34			4	0	
35		150m ³	1	0	
36		DMC-90	1	0	
37		300	3	0	
38		4t	3	0	
39		60t/h	1	0	

2-5

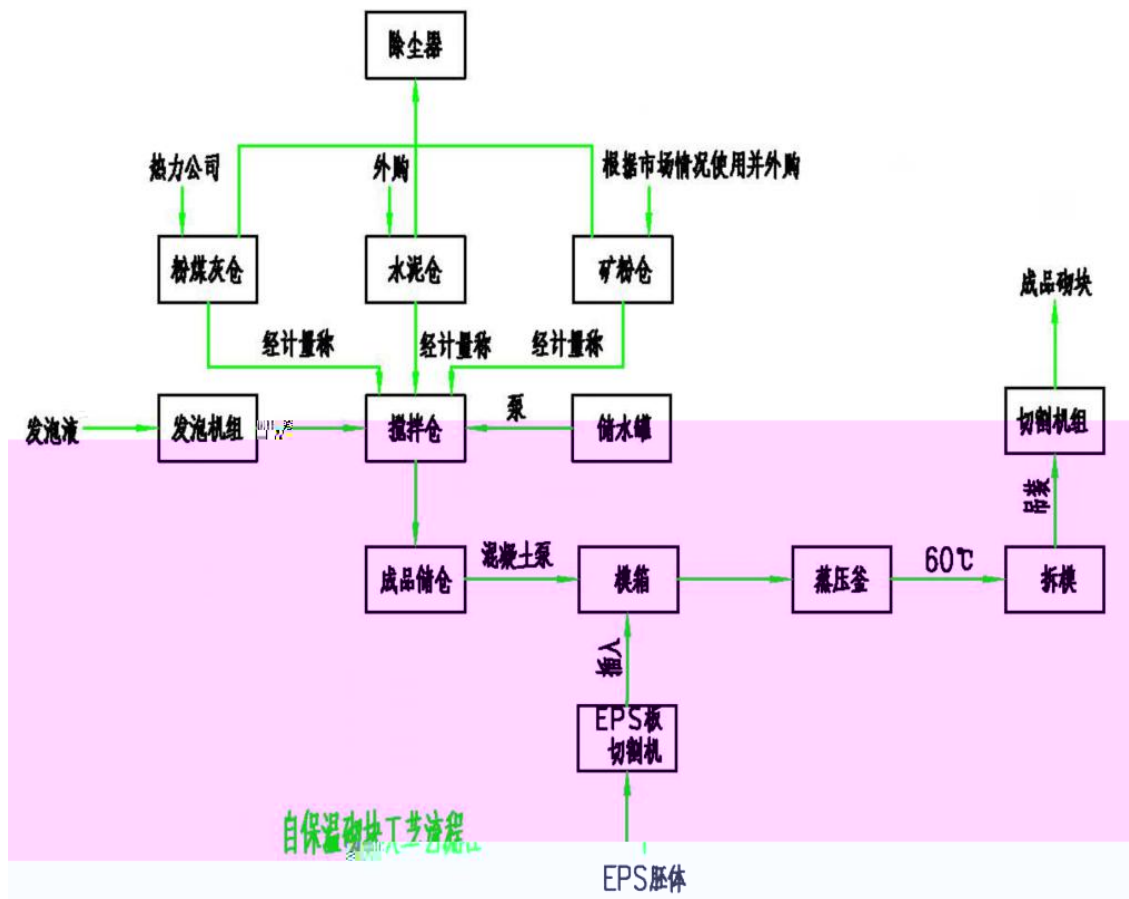
1		t/a	6.34	1.6
2		t/a	2.19	2.2
3		t/a	0.82	0.305
4		t/a	1.65	0
5		t/a	5.87	0
6		t/a	1540	0
7		t/a	90	45
8		t/a	154	0
9		t/a	102	0
10		t/a	8.25	200
11	EPS	m ³ /a	8.25	2
12	XPS	m ³ /a	0	2
1		t/a	8.25	4.125
2		t/a	1.62	1.62
3		t/a	3.50	0
4		t/a	3.50	0
1		kW.h	744800	279300
2		t/a	10000	245
3		Nm ³ /min	2	1



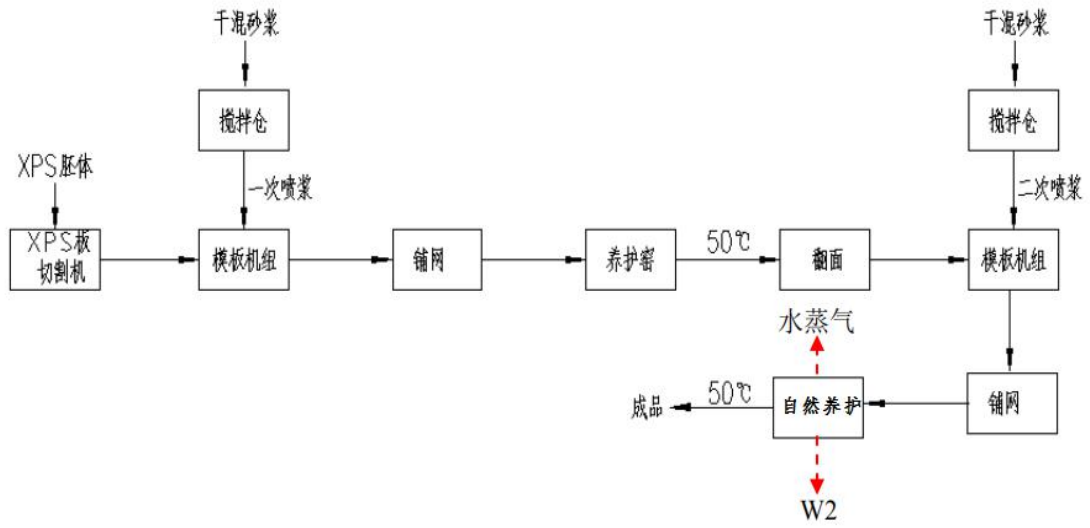


60

8



2



138.6t

60000t/a

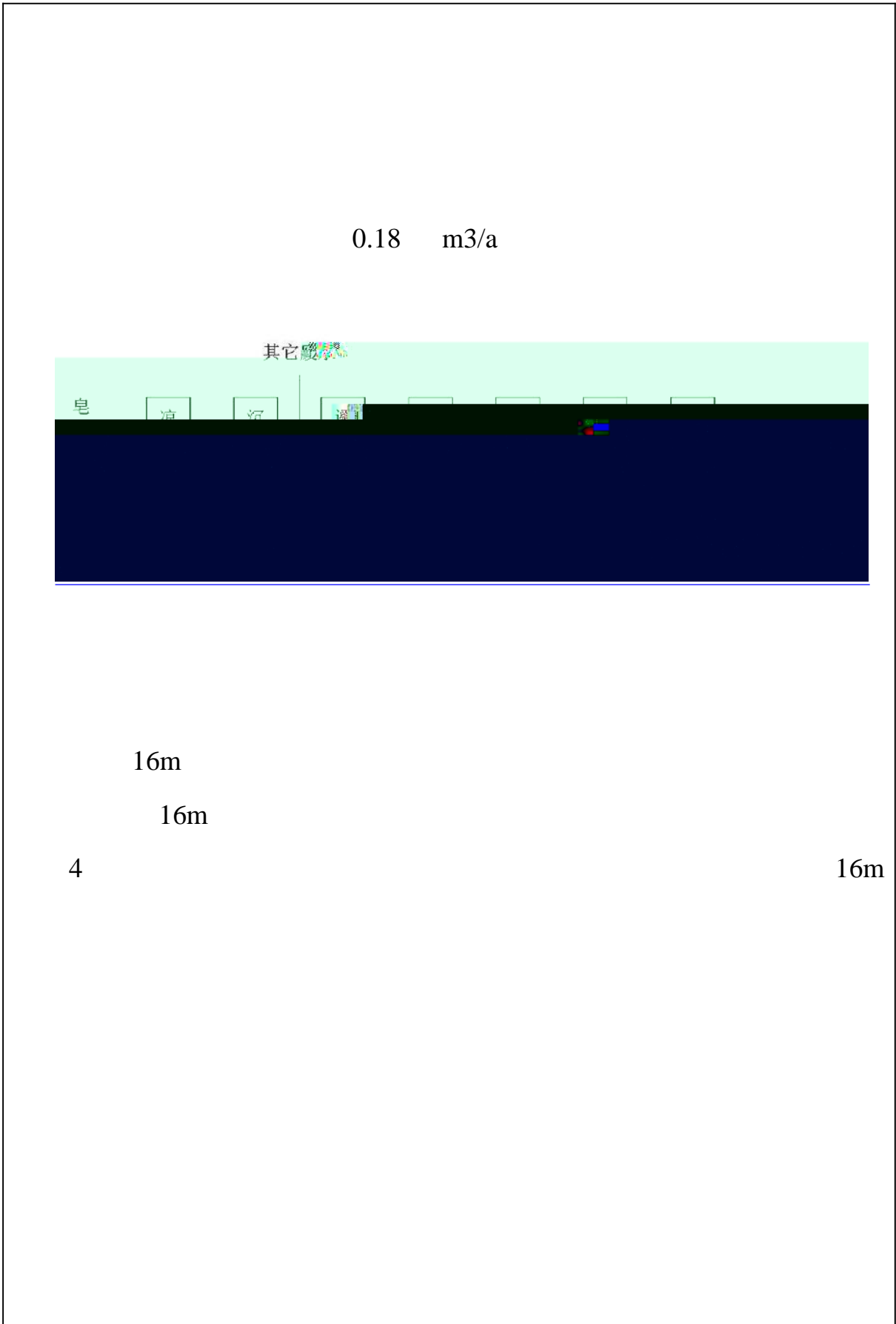
330

7920

1		8.25 t/a 1.62 t/a 3.50 t/a 3.50 t/a	4.125 t/a 1.62 t/a		
2		1.65			
3				150	

[2015]52

[2018]6





4

164.1t/a

		pH COD
	6051	1385
69.25		5.0%
	3-1	
1		3.15
2		60
2		3.1
3		3
		69.25

3-2

			+ +16m	1		
			+ +16m	1		
			+ +16m	1		

				1	pH COD SS BOD	

1

2008 5

4 10

2011 7 15

[2011]63 2014 4

[2014]15

6051

MS

8

7200 330

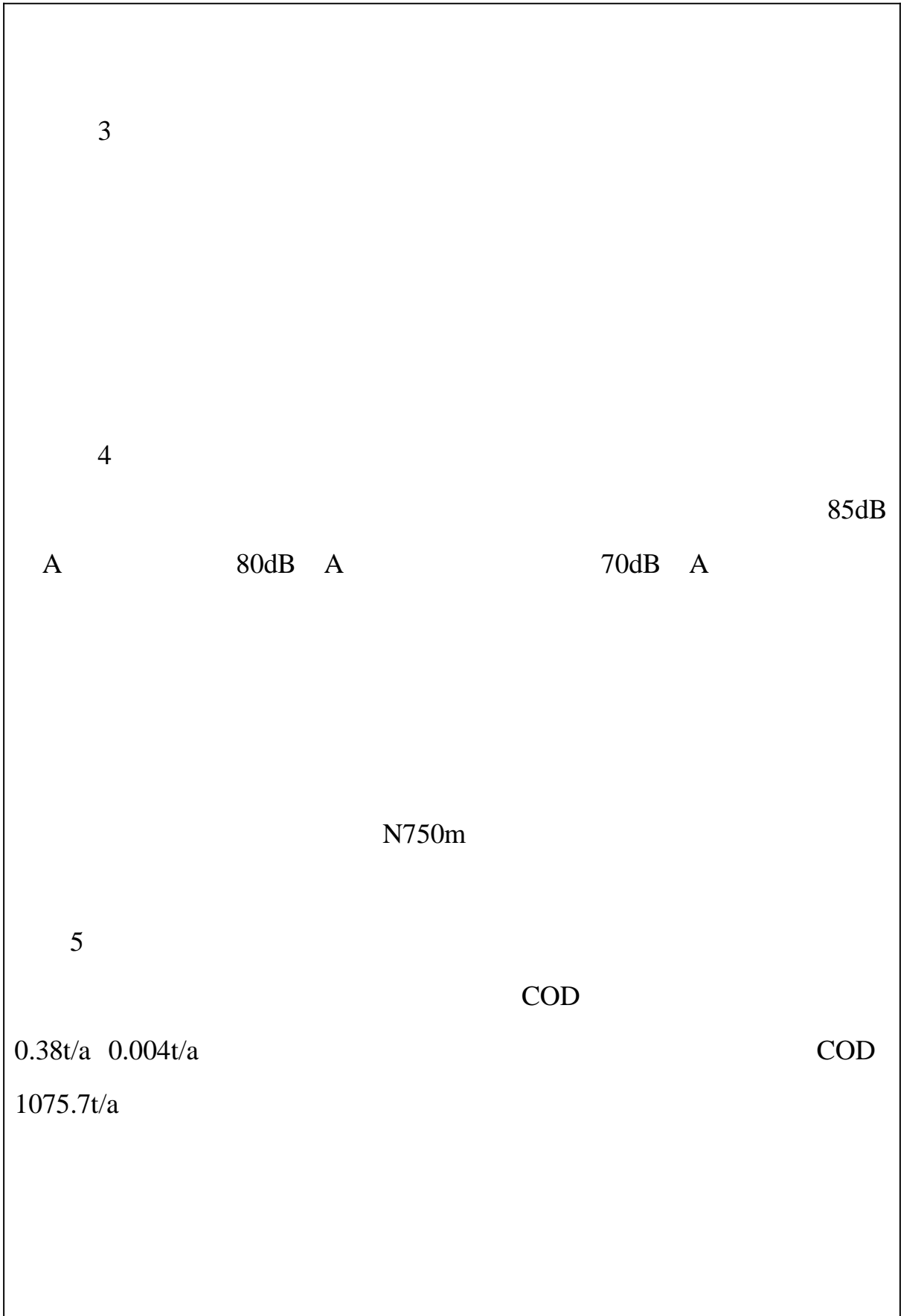
2

(2011)

	[2007]131				
	()			2012	263
3					
					2014 06
13	2014	06	19		
				SO ₂	NO ₂
CO		TSP			
	GB3095-2012				
			TJ36-97		
	PM ₁₀	PM _{2.5}			
					GB3838-2002
				3	
	2#				3#
pH					
	(GB/T14848-93)				
	(GB/T 14848-93)			pH	

4

1



6

888

1

15m

200m

5m

2

3

4

5

6

2014	12	10		2014
77				
1				
2				
CJ343-2010	1	B		
3				16m
GB16297-1996	2			
			DB37/1996-2011	
4				
GB12348-2008	2			
5				
			GB18599-2001	

5-1

			DB37/2537-2014	AUW-220D AH-Z-028	1mg/m ³
			GB/T15432-1995	AUW-220D AH-Z-028	0.001mg/m ³
	pH		GB/T6920-1986	PHS-3C AH-Z-064	--
	COD		HJ828-2017	COD JR-9012 AH-F-083	4mg/L
			HJ535-2009	UV2770 AH-Z-305	0.025mg/L
	BOD ₅		HJ505-2009	SHP-160 AH-Z-185	0.5mg/L
			GB/T11901-1989	AP125WD AH-Z-335	1mg/L
			GB12348-2008	HS6288B AH-Z-097	--

AH-Z-181	2030	100	AH-Z-24 6	296	97.0	5		2019.09.22
AH-Z-182	2030	100	AH-Z-24 6	296	99.0			2019.09.22
AH-Z-223	KB-120 F	100	AH-Z-24 6	296	96.0			2019.09.22
AH-Z-224	KB-120 F	100	AH-Z-24 6	296	98.0			2019.09.22
AH-Z-181	2030	100	AH-Z-24 6	292	97.0			2019.10.07
AH-Z-182	2030	100	AH-Z-24 6	292	98.0			2019.10.07
AH-Z-223	KB-120 F	100	AH-Z-24 6	292	97.0			2019.10.07
AH-Z-224	KB-120 F	100	AH-Z-24 6	292	98.0			2019.10.07

GB12348-2008

 $\pm 0.5\text{dB}$ A

HJ/T

91-2002

HJ/T 92-2002

1

75%

2

3

HJ/T 91-2002

4

			mg/L	%	5%
1	AHHYJ169-4-J0 01		180	1.10	
2	AHHYJ169-4-J0 10		184		
3	AHHYJ169-4-J0 01		176	1.40	
4	AHHYJ169-4-J0 10		181		
5	AHHYJ169-4-J0 01		8.78	0.11	
6	AHHYJ169-4-J0 10		8.76		
7	AHHYJ169-4-J0 01		8.84	0.56	
8	AHHYJ169-4-J0 10		8.94		

6-1

		3 / 2
		3 / 2
		3 / 2
		3 / 2

7

6-2

	A Leq[dB(A)]	1 2

8

6-3

1	pH	4 / 2
2	pH	4 / 2

6-4

6-6

		20	3.5
		1.0	
	DB37/2373—2018	2	
	GB16297-1996	2	
		(DB37/2373—2018)	3

6-7

pH		6-9	
	mg/L	30	
COD	mg/L	50	
	mg/L	10	
BOD ₅	mg/L	20	
			4 DB37/3416.4-2018 2

6-8

		60	
		50	GB12348-2008 2

1

7-1

	2019.9.23	169.70	212.12	80
	2019.9.24	173.94	212.12	82
	2019.9.23	484.84	606.06	80
	2019.9.24	515.15	606.06	85
	2019.10.8	173.94	212.12	82
	2019.10.9	173.94	212.12	82
	2019.10.8	494	606.06	81.5
	2019.10.9	515.15	606.06	85

8

4-1

75%

7-2

2019 9 23	1	1	51.8	43.4
	1	2	52.4	44.2
	1	3	54.9	46.7
	1	4	53.6	44.3
2019 9 24	1	1	52.3	43.0
	1	2	52.9	43.7
	1	3	54.5	45.2
	1	4	53.8	44.1

4

51.8 54.9dB A

43.0 46.7dB

A

GB12348-2008 2

7-3

mg/L pH

2019 9 23	pH	1	8.75
		2	8.54
		3	8.69
		4	8.79
	COD _{cr}	1	
		2	177
		3	175
		4	173
		1	8.77
		2	8.46
		3	8.68
		4	8.91
		1	18
		2	19
		3	18
		4	17
	BOD ₅	1	40.6
		2	39.3
		3	38.4
		4	41.8
2019 9 24	pH	1	8.69
		2	8.62
		3	8.75
		4	8.59
	COD _{cr}	1	178
		2	183
		3	173
		4	171
		1	8.89
		2	8.94
		3	9.76
		4	8.47
		1	17
		2	19
		3	20
		4	18
	BOD ₅	1	41.3
		2	37.2
		3	38.7
		4	70.7

			mg/L	pH
2019 9 23	pH	1	8.92	
		2	8.87	
		3	8.95	
		4	8.88	
	COD _{cr}	1	47	
		2	49	
		3	47	
		4	47	
		1	1.19	
		2	1.20	
		3	1.24	
		4	1.22	
	BOD ₅	1	8.7	
		2	9.3	
		3	9.5	
		4	9.0	
	1	7		
	2	8		
	3	8		
	4	9		
2019 9 24	pH	1	8.82	
		2	8.95	
		3	8.87	
		4	8.91	
	COD _{cr}	1	46	
		2	48	
		3	44	
		4	47	
		1	1.17	
		2	1.20	
		3	1.08	
		4	1.12	
	BOD ₅	1	8.3	
		2	8.7	
		3	9.7	
		4	9.2	
	1	8		
	2	9		
	3	8		
	4	7		

2-0d0

2019-09-23 00	38.1	69.5	0.37	0.675	1824
2019-09-23 01	37.3	68.1	0.28	0.511	1824
2019-09-23 02	37.3	67.8	0.28	0.508	1816
2019-09-23 03	39.3	71.6	0.32	0.582	1820
2019-09-23 04	39.3	71.3	0.32	0.58	1812
2019-09-23 05	39.1	69.8	0.3	0.535	1784
2019-09-23 06	39.1	69.1	0.3	0.53	1768
2019-09-23 07	38.3	66.9	0.33	0.576	1744
2019-09-23 08	38.3	66.3	0.33	0.57	1728
2019-09-23 09	39.2	64.8	0.33	0.545	1652
2019-09-23 10	39.2	63.9	0.33	0.537	1628
2019-09-23 11	38	62.5	0.38	0.625	1644
2019-09-23 12	38	62.9	0.38	0.629	1656
2019-09-23 13	35.2	59.6	0.37	0.626	1692
2019-09-23 14	35.2	60.6	0.37	0.636	1720
2019-09-23 15	36.5	62.8	0.37	0.636	1720
2019-09-23 16	36.5	62.3	0.37	0.632	1708
2019-09-23 17	39	66.9	0.33	0.566	1720 167
2019-09-23 18	39	67.1	0.33	0.568	1720
2019-09-23 19	39.5	67.9	0.35	0.602	1720
2019-09-23 20	39.5	67.5	0.35	0.598	1708
2019-09-23 21	39.2	67.7	0.38	0.655	1724
2019-09-23 22	39.2	67.2	0.38	0.651	1712
2019-09-23 23	37	63.5	0.33	0.566	1716
2019-09-24 00	37	63.6	0.33	0.568	1720
2019-09-24 01	37	63.3	0.33	0.565	1712
2019-09-24 02	37	63.3	0.33	0.565	1712
2019-09-24 03	37	63.3	0.32	0.548	1712
2019-09-24 04	37	63.3	0.32	0.548	1712
2019-09-24 05	37.2	63.8	0.35	0.599	1712
2019-09-24 06	37.2	63.6	0.35	0.598	1708
2019-09-24 07	36.5	62.2	0.35	0.596	1704
2019-09-24 08	36.5	61.8	0.35	0.592	1692
2019-09-24 09	41	68.4	0.38	0.634	1668
2019-09-24 10	41	68.2	0.38	0.632	1664
2019-09-24 11	37.2	62	0.35	0.582	1664
2019-09-24 12	37.2	62	0.35	0.582	1664
2019-09-24 13	37.5	58-0909			

2019-09-24 16	36.2	52.6	0.37	0.537	1452
2019-09-24 17	35	50.7	0.33	0.478	1448
2019-09-24 18	35	50.7	0.33	0.478	1448
2019-09-24 19	38	55.5	0.35	0.511	1460
2019-09-24 20	38	55.2	0.35	0.508	1452
2019-09-24 21	38	57.9	0.38	0.579	1524
2019-09-24 22	38	58.7	0.38	0.587	1544
2019-09-24 23	35.8	55.9	0.3	0.469	1564
	37.6	63	0.344	0.575	1671
	41	71.6	0.38	0.675	1824
	35	50.7	0.28	0.469	1448
		3022		27.6	80212

pH

8.82~8.95

COD_{Cr} 47mg/L46mg/L BOD₅ 9.1mg/L 9.0mg/L

1.21mg/L 1.14mg/L SS

8mg/L 8mg/L

COD_{Cr} 37.6mg/L

0.344mg/L

4

DB37/3416.4-2018

1

		94.8	0.113
2019 9 23		96.7	0.113
		91.2	0.107
		91.3	0.094
2019 9 24		96.7	0.100
		93.4	0.098
		12.3	0.016
2019 9 23		13.2	0.016
		11.8	0.015
		11.8	0.015
2019 9 24		12.9	0.015
		12.2	0.015

2019 9 23		78.9	0.851
		86.3	0.933
		75.3	0.808
2019 9 24		81.8	0.871
		82.7	0.866
		84.5	0.887
2019 9 23		8.2	0.090
		9.3	0.103
		7.8	0.085
2019 9 24		8.3	0.092
		8.5	0.094
		9.1	0.098

2019 10 8		84.9	0.101
		91.3	0.110
		87.4	0.104
2019 10 9		86.9	0.104
		83.7	0.100
		91.4	0.109
2019 10 8		10.4	0.013
		11.2	0.014
		10.7	0.013
2019 10 9		10.9	0.014
		9.6	0.013
		11.2	0.014

2019 9 23				85.8
				85.8
				86.0
2019 9 24				84.0
				85.0
				84.7
2019 9 23				89.4
				89.0
				89.5
2019 9 24				89.4
				89.1
				89.0
2019 10 8				87.1
				87.3
				87.5
2019 10 9				86.5
				87.0
				87.2

32

2

P1-2

$$Q=Q1+Q2$$

Q

Q1 Q2 1 2

$$H=\sqrt{\frac{1}{2}(h_1^2+h_2^2)}$$

H

h1 h2 1 2

P1-2		16	0.03

11.2mg/m³ 13.2mg/m³ 9.3mg/m³
 0.016kg/h 0.103kg/h 0.014kg/h
 DB37/2373

2018 2
 GB16297-1996 2
 2

2019 12 6	1	0.258
		0.309
		0.275
	2	0.421
		0.455
		0.438
	3	0.434
		0.486
		0.434
	4	0.408
		0.476
		0.425
2019 12 7	1	0.275
		0.326
		0.258
	2	0.438
		0.471
		0.404
	3	0.451
		0.469
		0.434
	4	0.425
		0.442
		0.442
	/	0.586
	/	1.0

0.486mg/m³

(DB37/2373—2018) 3

3

有组织排放排气筒监测期间参数详见表 7-12。

2019.9 .23		1	20.4	1188	--	--	0.2	
		2	24.8	1172	--			
		3	27.6	1174	--			
		16	1	20.5	1277	--	16	0.6
			2	25.3	1238	--		
			3	28.1	1289	--		
		--	1	24.8	10790	--	--	0.6
			2	27.6	10807	--		
			3	29.7	10736	--		
		16	1	24.1	11004	--	16	0.6
			2	26.3	11063	--		
			3	29.2	10944	--		
2019.9 .24		1	21.8	1028	--	--	0.2	
		2	26.7	1033	--			
		3	28.9	1046	--			
		16	1	21.6	1274	--	16	0.6
			2	27.4	1173	--		
			3	29.1	1200	--		
		--	1	26.9	10645	--	--	0.6
			2	28.5	10473	--		
			3	31.2	10495	--		
		16	1	25.6	11031	--	16	0.6
			2	27.8	11056	--		
			3	30.4	10762	--		

2019.10.8		1	15.4	1195	--	--	0.2
		2	18.2	1201	--		
		3	20.3	1192	--		
		1	15.6	1268	--	16	0.6
		2	18.7	1291	--		
		3	20.1	1259	--		
2019.10.9		1	17.6	1193	--	--	0.2
		2	20.2	1200	--		
		3	23.7	1197	--		
		1	18.0	1292	--	16	0.6
		2	20.4	1315	--		
		3	24.5	1218	--		

7-14

2019.12.6	1	NW	0.7	19.4	100.7
	2	NW	1.2	25.9	100.7
	3	NW	1.1	28.4	100.7
2019.12.7	1	S	0.8	17.4	102.1
	2	S	0.7	21.5	102.1
	3	S	1.2	24.3	102.1

8-1		
<p>1.</p>	<p>2014 11</p> <p>2014 12 10</p> <p>2014 77</p>	
<p>2.</p> <p>CJ343-2010 1 B</p>	<p>pH 8.82~8.95</p> <p>CODCr 47mg/L 46mg/L BOD5 9.1mg/L</p> <p>9.0mg/L 1.21mg/L 1.14mg/L SS</p> <p>8mg/L 8mg/L</p> <p>4</p> <p>DB37/3416.4-2018</p>	

3.

16m

16m

16m

4

16m

GB16297-1996 2

13.2mg/m³ 9.3mg/m³ 11.2mg/m³

0.016kg/h 0.103kg/h

0.014kg/h

DB37/1996-2011

<p>4.</p> <p>GB12348-2008 2</p>	<p style="text-align: center;">4</p> <p style="text-align: center;">51.8 54.9dB A</p> <p style="text-align: center;">43.0 46.7dB A</p> <p style="text-align: right;">GB12348-2008</p> <p style="text-align: center;">2</p>	
<p>5.</p> <p>GB18599-2001</p>	<p style="text-align: center;">164.1t/a</p>	



[2017]4

“ ”

1

2